



Electronic Programmable Speedometer



Features

Easy calibration -
drive a measured mile,
calibrate from inside cab or
preset at factory.

Electronic speedometers operate by capturing pulses produced by a sensor. The pulses are then electronically converted to a speed-reading very much like a tachometer converts ignition pulses to RPM.

Odometer

The speedometer contains an odometer to maintain a record of the total mileage and trip mileage.

This display cannot be reset. A quick press of the an external push-button changes the display to the Trip odometer.

Trip Odometer

The Trip odometer allows operator to keep a record of the trip miles independent of the Odometer.

The Trip Odometer is fully user Re-settable.

Faria Beede Instruments, Inc.
P. O. Box 983
Uncasville, CT 06382
860.848.9271
Fax: 860.848.2704

88 Village Street
Penacook, NH 03303
603.753.6362
Toll-free: 800.451.8255
Fax: 603.753.6201



Made in the USA

fm-001-0127 rev A 06/2015

www.FariaBeede.com

Specifications

General

Mounting Hole:	3.375" (85mm)
Depth behind face plate	3.75" min.
Display	Analog 7 - character LCD
Lens	Polycarbonate
Bezel	Stainless Steel or Aluminum
Bracket	Plastic
Clamping range	0 - .8" (0-20mm)
Torque	5 to 7 inch pound (.57 - 80 Nm.)

Backlighting

Colored diffused lighting for display.

Water Integrity

Front will withstand direct water spray.

Operating Temperature

-4°F to +158°F (-20°C to +70°C)

Storage Temperature

-22°F to +185°F (-30°C to +85°C)

Operating Voltage

11.5 - 16 vDC

Nominal Voltage

14.2 vDC

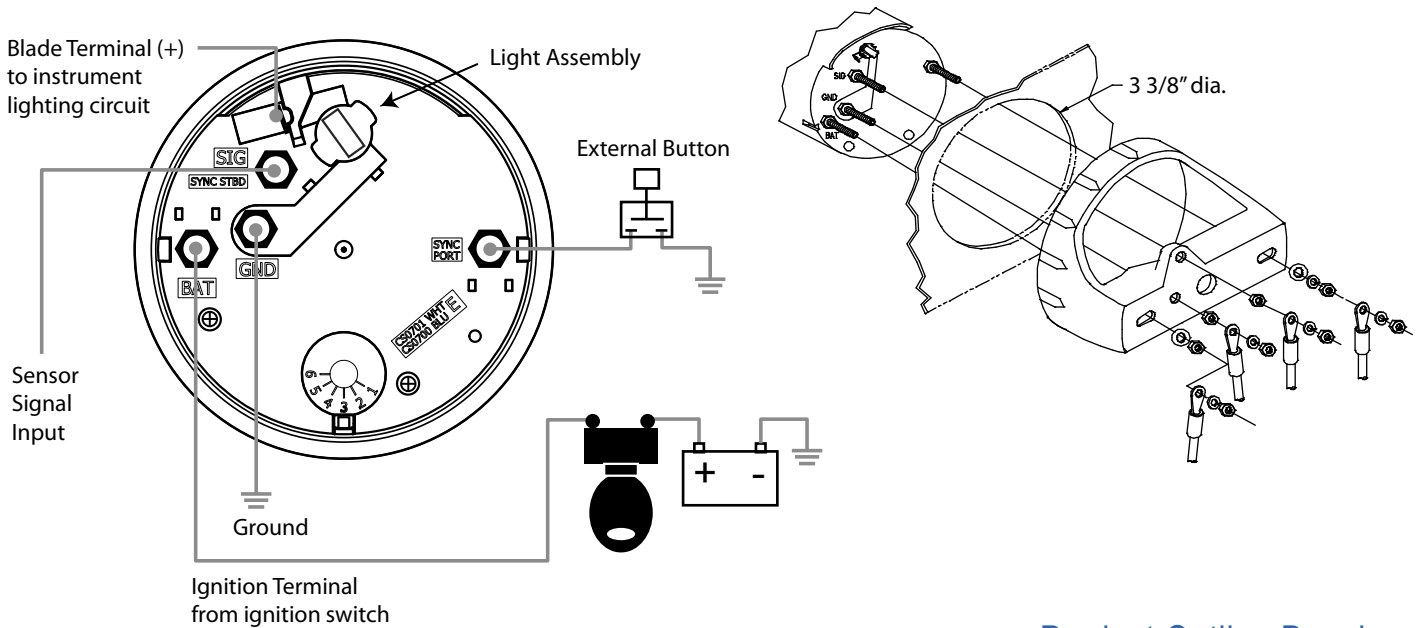
Current Consumption

< 100 ma, without illumination

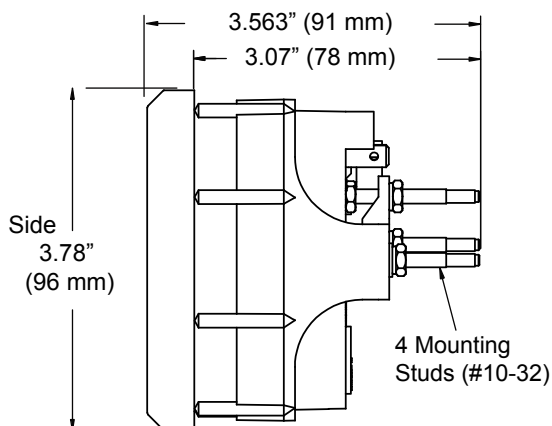
Connections

Connector Harness

Wiring Connections



Product Outline Drawing



Mounting clamp will accommodate panels from 0.06 inches to .63 inches thick