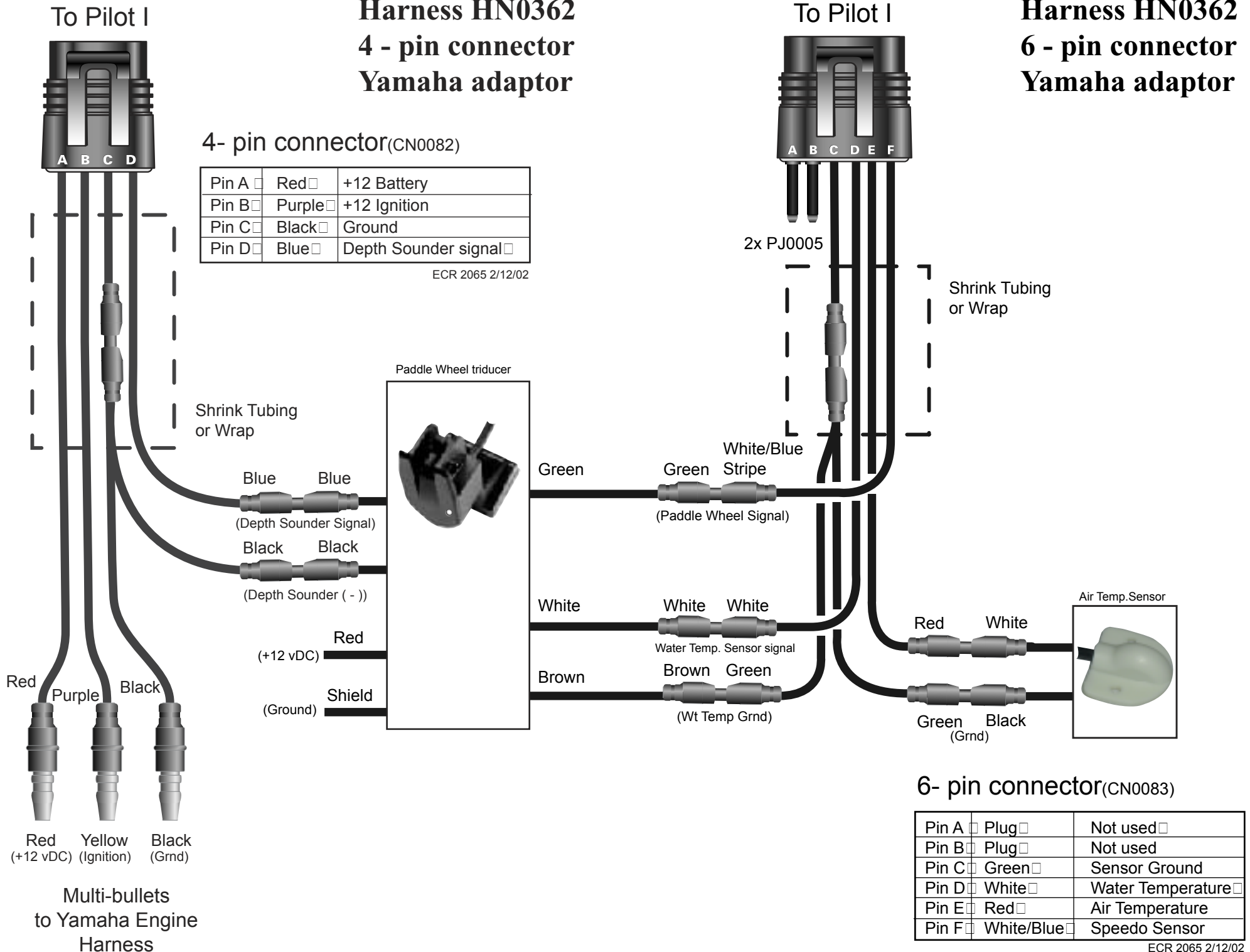


Harness HN0362 4 - pin connector Yamaha adaptor

Harness HN0362 6 - pin connector Yamaha adaptor

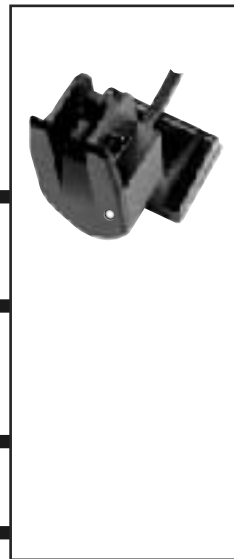


4- pin connector(CN0082)

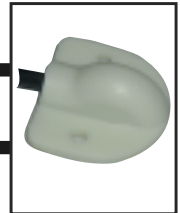
Pin A	Red	+12 Battery
Pin B	Purple	+12 Ignition
Pin C	Black	Ground
Pin D	Blue	Depth Sounder signal

ECR 2065 2/12/02

Paddle Wheel triducer



Air Temp. Sensor



6- pin connector(CN0083)

Pin A	Plug	Not used
Pin B	Plug	Not used
Pin C	Green	Sensor Ground
Pin D	White	Water Temperature
Pin E	Red	Air Temperature
Pin F	White/Blue	Speedo Sensor

ECR 2065 2/12/02