

Installation Instructions

Outboard Motor Cylinder Head & Temperature Gauge

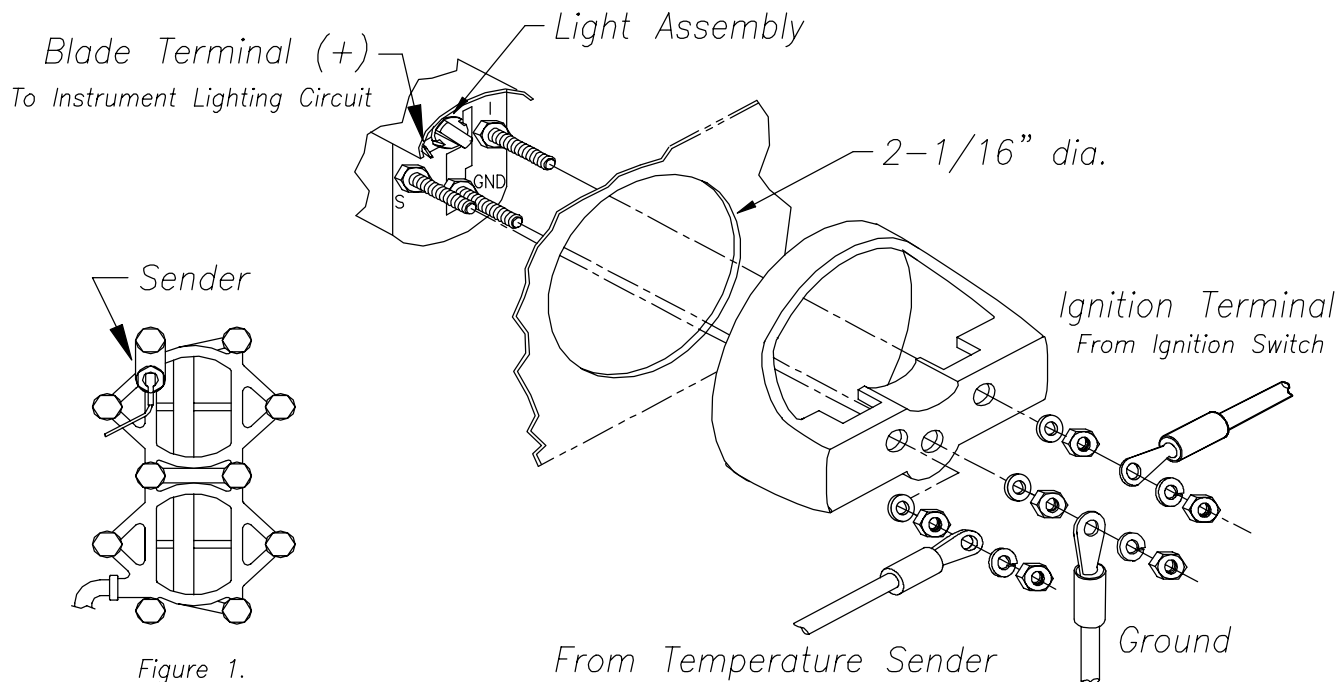


Figure 1.

CAUTION: This gauge is calibrated for use with a Faria® Cylinder Head Temperature sender only.

CAUTION: Disconnect the battery during installation. Tighten nuts on backclamp only slightly more than you can tighten with your fingers. Six **inch-pounds** of torque is sufficient. Over tightening may result in damage to the instrument and may void your warranty. The cylinder head gauge is designed to be used with water-cooled outboard engines. Do not use gauge or sender on air-cooled engines.

1. Be certain to use stranded, insulated wire not lighter than 18 AWG that is approved for marine use. It is recommended that insulated wire terminals, preferably ring type, be used on all connections to the gauge, except lighting, which requires 1/4" female blade terminals.

2. Remove one head bolt from the cylinder head nearest the top of engine. Place head bolt through hole in sending unit and mount on cylinder head as shown in Figure 1. The body of the sender unit must be flat against the cylinder head in order to provide correct readings. Replace head bolt and torque to recommended foot-pounds (see engine manual).

3. Cut a 2 1/16" diameter hole in the dash and mount the gauge with the backclamp supplied.

4. Connect a wire to the gauge stud marked "S" (signal) and secure with nut and lock washer. Connect opposite end to the stud on the sending unit using the push-on terminal supplied.

5. Connect a wire to the gauge stud marked "I" (ignition) and secure with nut and lock washer. Connect opposite end to a 12VDC circuit that is activated by the ignition switch.

6. Connect a wire to the gauge stud marked "GND" (ground) and secure with nut and lock washer. Connect opposite end to the boat's electrical ground, generally available in several locations at or near the instrument panel.

7. Connect the blade terminal adjacent to the twist-out light assembly to the positive "+" side of the instrument lighting circuit. No separate ground is required for lighting. Reconnect the battery.

NOTE: To change light bulb, twist out black socket assembly one-eighth turn counterclockwise until it pops out. Bulb pulls straight out of socket assembly. It is a GE No. 161 instrument lamp.