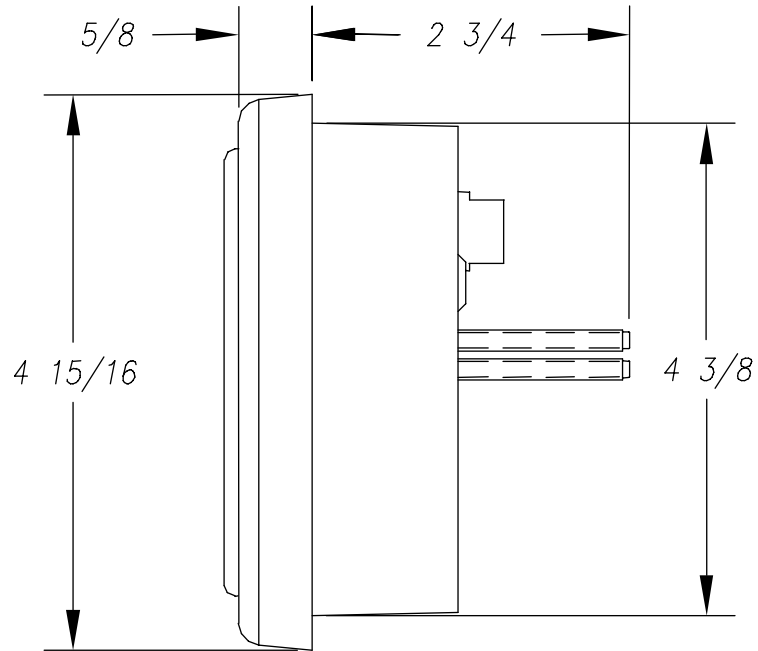
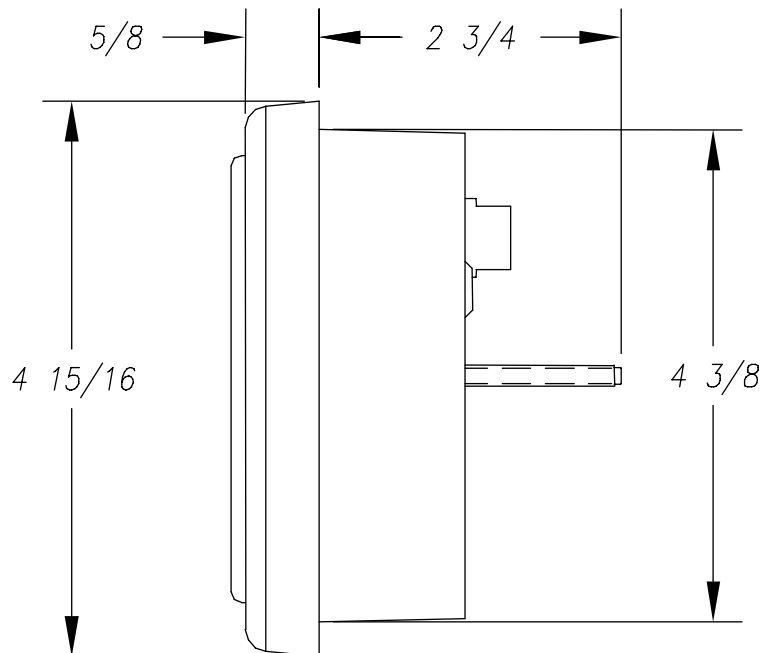


**4 - INCH TACHOMETERS & SYNCHRONIZERS**  
**Note:** Case diameter dimension is panel hole requirement

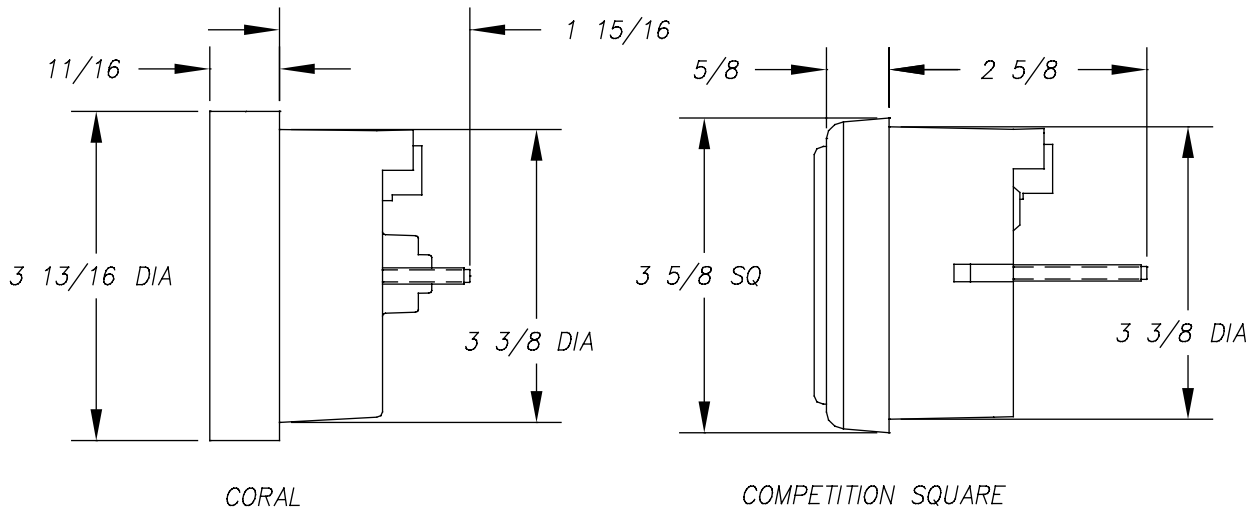
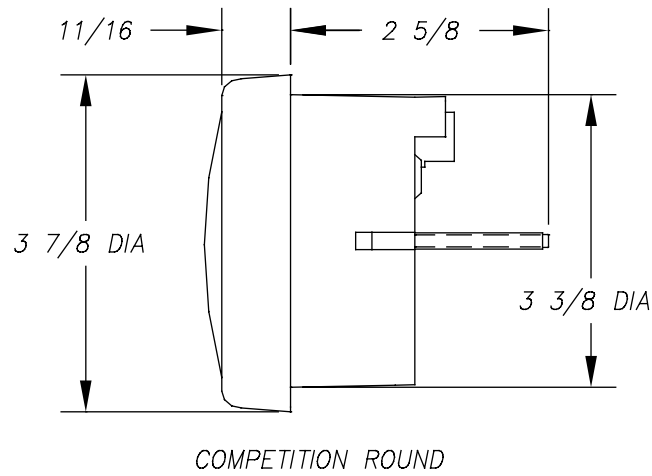
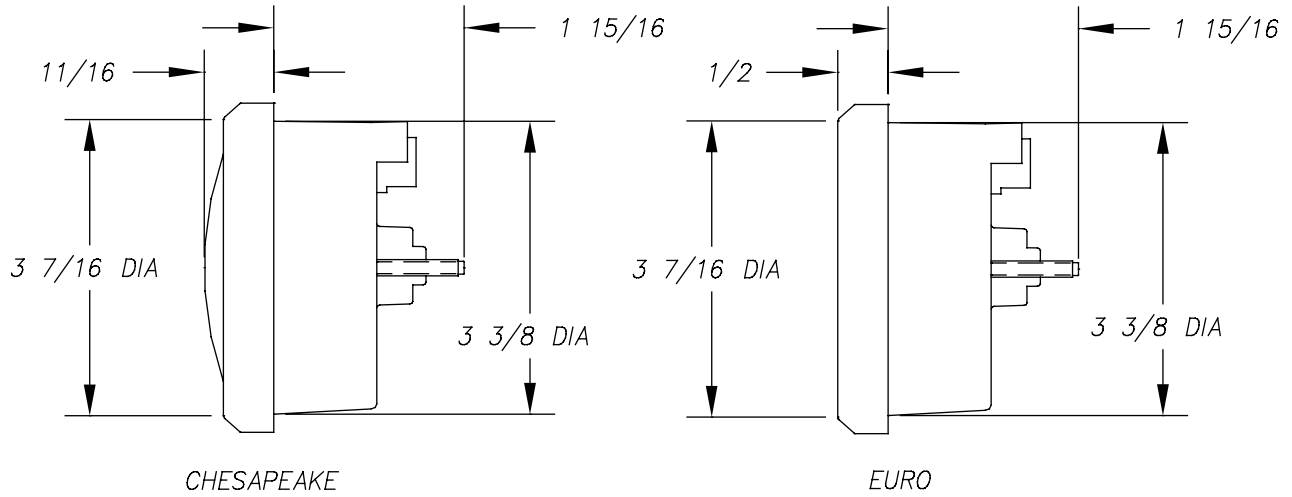


TACHOMETER & SYNCHRONIZER



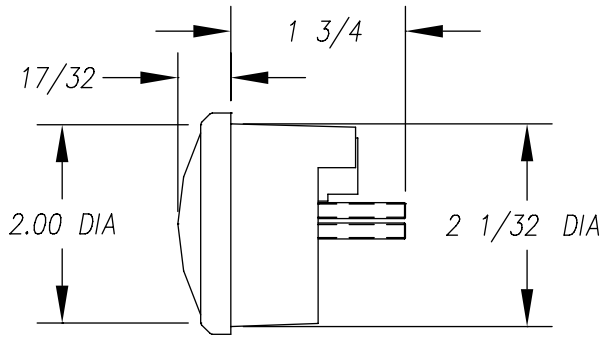
SPEEDOMETER

5 - INCH COMPETITION SQUARE  
 TACHOMETERS, SYNCHRONIZERS & SPEEDOMETERS  
**Note:** Case diameter dimension is panel hole requirement.

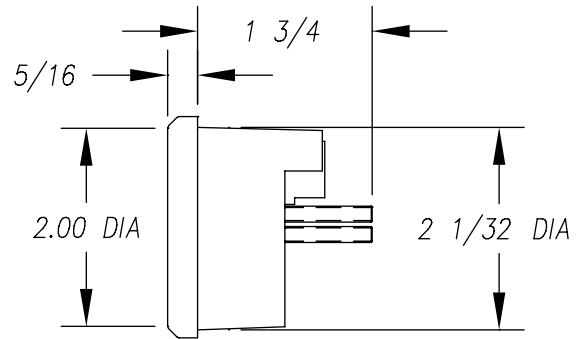


4 - INCH SPEEDOMETERS

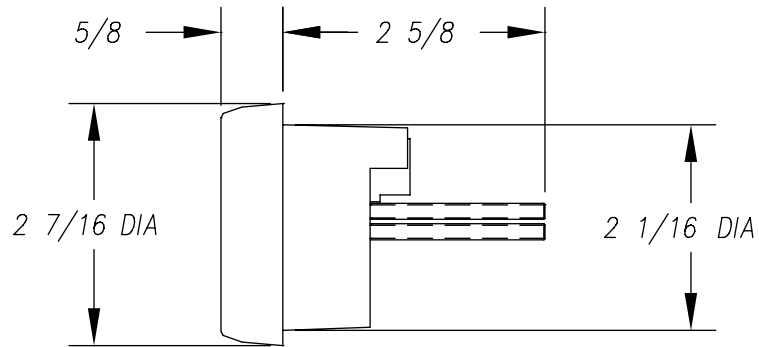
**Note:** Case diameter dimension is panel hole requirement.



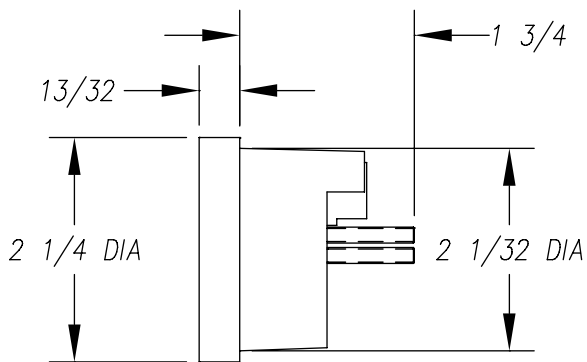
CHESAPEAKE



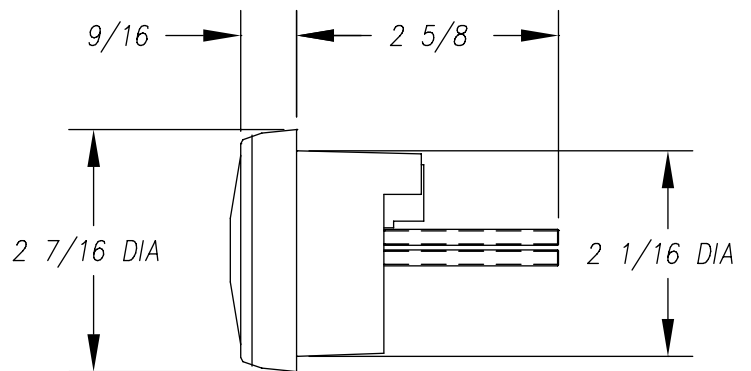
EURO



COMPETITION ROUND



CORAL



COMPETITION SQUARE

2 - INCH GAUGES

**Note:** Case diameter dimension is panel hole requirement.