

Garmin®

**MARINE
INSTRUMENTS**



Owner's Manual

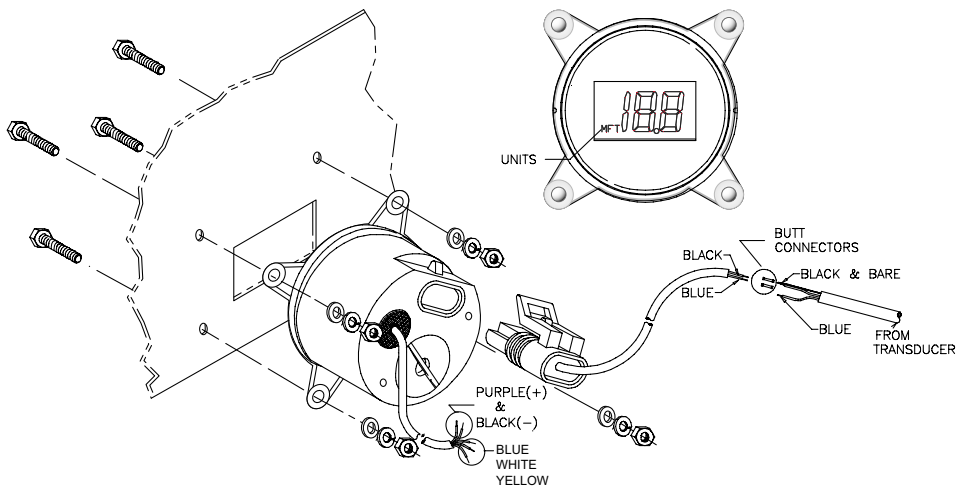
Digital Depth Sounder

(Flush Mounted, Remotely Switched)

- Digital Depth Sounder displays depth in feet, meters or fathoms.

IS0229

rev. A ecr#5359 8/2005



WARNING: The depth sounder is not to be used for navigation or as a device to avoid grounding which may result in boat damage or personal injury. Always use caution operating in shallow areas and maintain a very slow speed. Be aware that depths may change too quickly for you to react and avoid grounding.

CAUTION: Disconnect the battery during installation. Tighten nuts on the clamp only slightly more than you can tighten with your fingers. **Six inch-pounds of torque are sufficient.** Over-tightening could result in damage to the instrument and may void your warranty.

1. It is recommended that insulated wire terminals, preferably ring type, be used on all connections to the power source.
2. Connect the black wire to the boat's electrical ground, usually available at several locations near the instrument panel.
3. Connect the purple wire to a 12 Volt DC circuit that is activated by the ignition switch.
4. Follow the enclosed Airmar Technology

Corporation instructions for installing the transducer with the adhesive supplied.

5. Once the transducer is installed and you have lead the cable to the depth sounder, connect the three wires (black, blue, and bare) from the transducer to the corresponding colored wires of the connector plug using the butt connectors supplied. (See Illustration)

NOTE: The bare and black wire from the transducer will need to be twisted together and then both connected to the black wire of the plug.

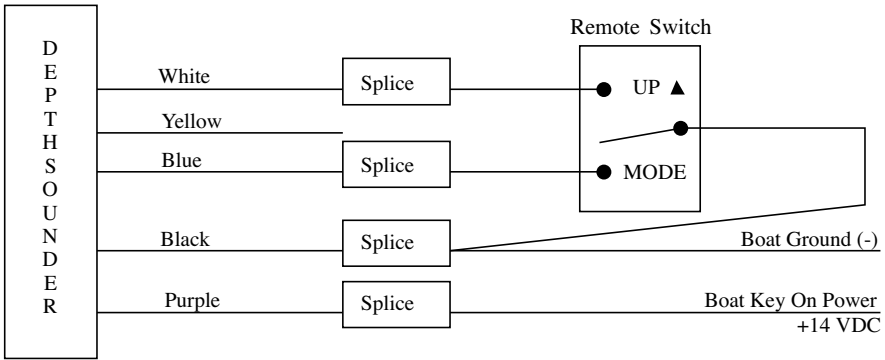
The butt connectors have a heat activated waterproofing. When the butt

connections have been crimped, slowly apply heat with a heat gun until you see sealant coming out of the connector ends. It is recommended to wrap the connections together with electrical tape for further protection. Plug the connector into the rear of the depth sounder.

NOTE: If the transducer cable is not connected properly or not plugged into the depth sounder, the display will blink

NOTE: The remote switch must connect to a good ground. It is recommended that a ground wire be run from the switch ground connection to the Depth Sounder ground connection at the Depth Sounder.

Wire Color	Function
Black	Ground (-)
Purple	Ignition (+)
Blue	Mode Switch
White	Up Switch
Yellow	Not Used



when the power is applied to the unit.

General description:

The depth sounder will display depth of 2-199ft, 1-92m, or 1-54F. To allow greater depths to be displayed in the “ft” (Feet) mode the depth sounder will automatically change to “F” (Fathoms) mode and continue to display depths to approximately 54 fathoms.

When the depth decreases below 200 feet the display will return to the “ft” mode. Extreme depths may be limited by type of transducers utilized or bottom conditions.

If the reading is less than 19.9 feet, meters or fathoms, 1/10th increments will be displayed. If the reading is more than 19.9 feet, all readings will be in whole numbers.

Operation:

1. **Power on.** The depth sounder will activate automatically when the power to it is initially turned on.

You do not have to press the toggle switch down. The LCD will illuminate showing the depth and will also show the

type of units selected, feet (FT), meters (M), or fathoms (F). To turn the depth sounder off, press and hold the toggle switch down for 4 seconds. Pressing the toggle switch down again will reactivate the unit.

NOTE: The instrument is designed to have the internal LED lighting remain on as long as power is supplied even if the unit is turned “off” at the keypad.

2. **Units.** Pressing the toggle switch down displays “Un” on the LCD indicating the units mode. Press the toggle switch up to set the units desired to feet (FT), meters (M), or fathoms (F). These units once set, will remain the same for all modes. Pressing the toggle switch down again returns the depth sounder to normal operation.

