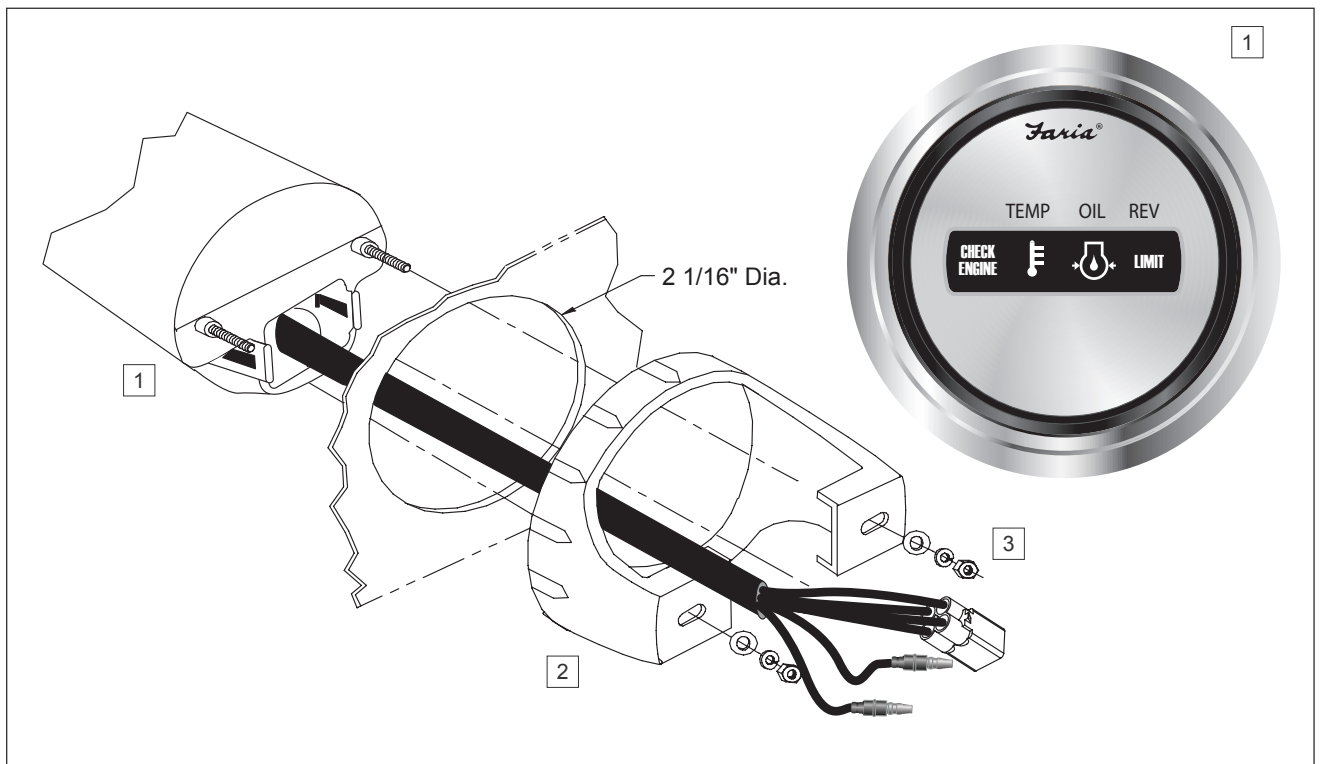


Description:	System Monitor	Part Number:	F16022
Applications:	Suzuki Marine Boats	Installation Time:	1 HRS
NOTE:	Mounts in standard 2 1/16" hole.	Weight:	1 lbs

Contents

Ref.	Part Number	Description	QTY
1.	F16022	System Monitor Gauge	1
2.	BC0128	Mounting Bracket	1
3.	Mounting Hardware		1



Tools Required

Ref.	Tools Description
1.	5/16" Nut Driver
2.	Suzuki Terminal Kit 09900-28701



Important

- ⚠ WARNING**
- ⚠ CAUTION**
- NOTE**

Please read this manual and follow its instructions carefully. To emphasize special information, the symbol **⚠** and the words **WARNING**, **CAUTION** and **NOTE** have special meanings. Pay special attention to the messages highlighted by these signal words:
NOTE: Indicates special information to make maintenance easier or instructions clear.

⚠ WARNING
Indicates potential hazard that could result in death or injury.

⚠ CAUTION
Indicates potential hazard that could result in vehicle damage.

! CAUTION

- Disconnect battery during installation.
- Tighten nuts on backclamp only slightly more than you can tighten with your fingers. Six inch-pounds of torque is sufficient. Over tightening may result in damage to the instrument and may void your warranty.
- Gasket cement or other adhesive is not required to secure tubing to fittings.

Installation

- 1.** Cut a 2 1/16" dia. hole in the dash and mount the gauge with the backclamp supplied.
- 2.** To connect the instrument, align the keys on the gauge's wire harness plug with the engine MONITOR harness (#36682-92E00) instrument's receptacle. Push the plug in gently until the catches snap in place.
- 3.** Connect the Gray wire (Ignition) and the Black (Ground) to the Suzuki harness.

Mounting Hardware Kit




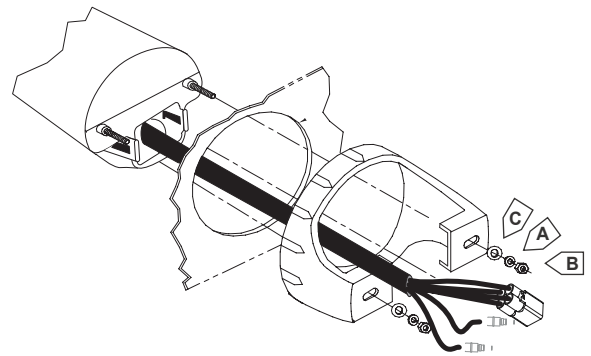
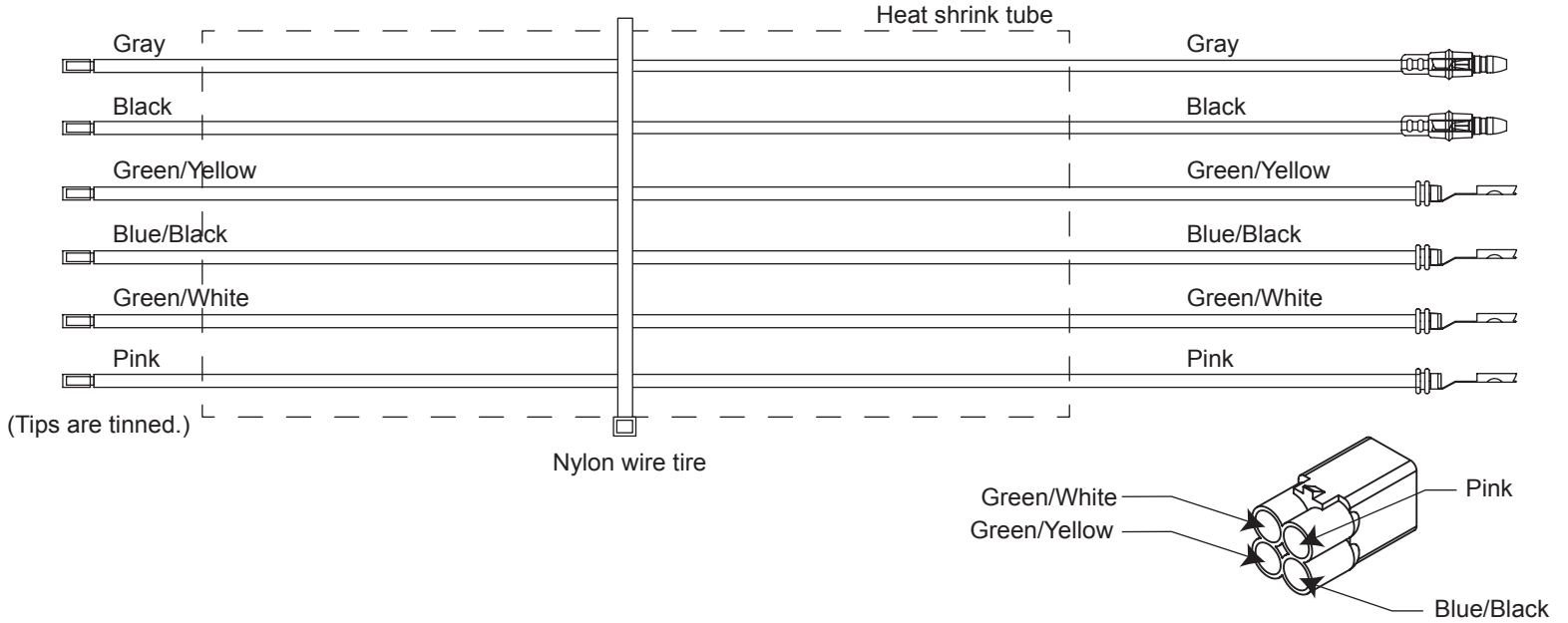
A		x 2
B		x 2
C		x 2

Figure 1



Harness Diagram

HN1350 rev A ecr 4231 12/03



Trouble Shooting

Trouble	Inspection	Diagnosis	Action
There are no trouble shooting conditions.			

