

MACH-4

Description

The "Mach" series of products are multi-functional / multi-purpose display centers for the commercial, industrial, recreational, military and marine markets. The MACH-4 (available with a 4.4" LCD screen) is based on the Android operating system for maximized flexibility and is easily installed along with other instruments and control switches.

Engine and Generator; monitoring, diagnostics, parameter monitoring, Navigation, Charting and Entertainment are major features designed into the

"Mach" series architecture.

The distinguishing features of the product are a highly customized and feature rich graphical user interface, touch screen, Bluetooth and Wireless or Wired remote keypads providing a rich environment to meet future expansion needs, including telematics and the ability for remote monitoring and control of assets.



Built for the Android operating system.
Available for:

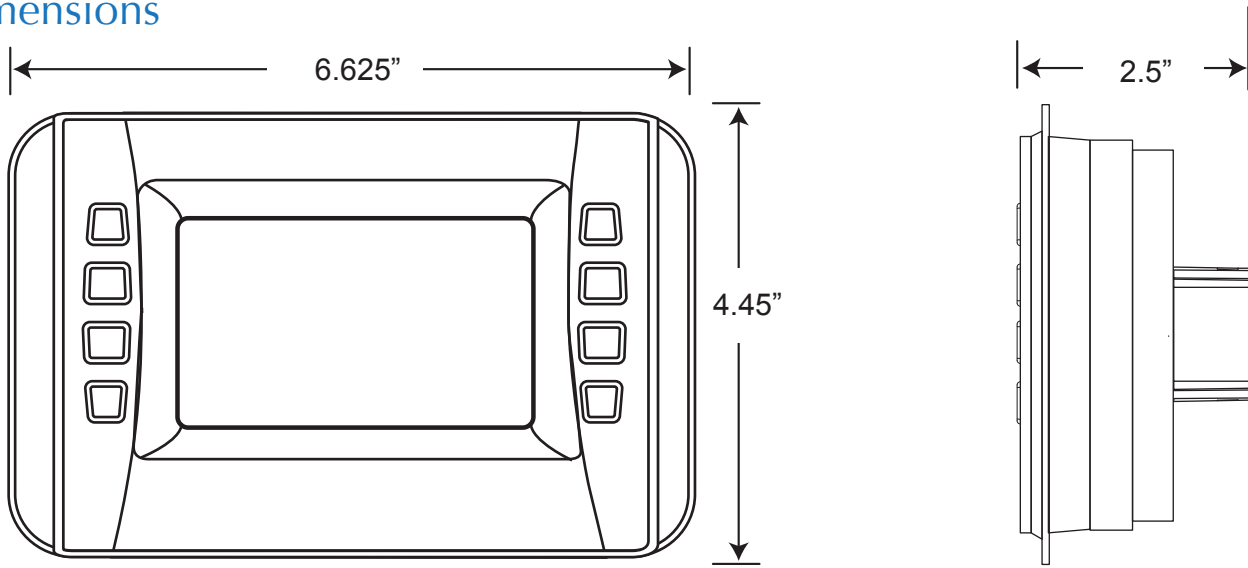


Faria Beede Instruments, Inc.
P. O. Box 983
Uncasville, CT 06382
860.848.9271
Fax: 860.848.2704

88 Village Street
Penacook, NH 03303
603.753.6362
Toll-free: 800.451.8255
Fax: 603.753.6201

Made in the USA

Dimensions



Dimensions are subject to change. The dimensions depicted in the illustration may change with out warning. These dimensions should be used for reference only.