

## MACH-7

### Description

The "Mach" series of products are multi-functional / multi-purpose display centers for the commercial, industrial, recreational, military and marine markets. The MACH-7 (available with a 7.0" LCD screen) is based on the Android operating system for maximized flexibility and is easily installed along with other Faria instruments and control switches.

Engine and Generator; monitoring, diagnostics, parameter monitoring, Navigation, Charting and Entertainment are major features designed into the

"Mach" series architecture.

The distinguishing features of the product are a highly customized and feature rich graphical user interface, touch screen, Bluetooth and Wireless or Wired remote keypads providing a rich environment to meet future expansion needs, including telematics and the ability for remote monitoring and control of assets.



Faria Beede Instruments, Inc.  
P. O. Box 983  
Uncasville, CT 06382  
860.848.9271  
Fax: 860.848.2704

88 Village Street  
Penacook, NH 03303  
603.753.6362  
Toll-free: 800.451.8255  
Fax: 603.753.6201

Made in the USA

fm-001-0085 rev C 082014

Built for the Android operating system.  
Available for:



Internet Capable Device





## Dedicated Android® app.

Real-World system data sent from the engine ECU and Analog inputs is displayed in the dedicated Android app.

The system data, GPS speed, Map position, Instrument data, Asset monitoring data and CAN error codes is displayed in a virtual instrument dash board right on the screen.

Multiple “pages” can be displayed including:

- Standard and Secondary instruments
- Ballast Tank monitoring and control
- Fuel Management
- Error Codes

Future features planned

- Cruise Control
- Depth – Side scrolling contour
- Digital Switching and Lights

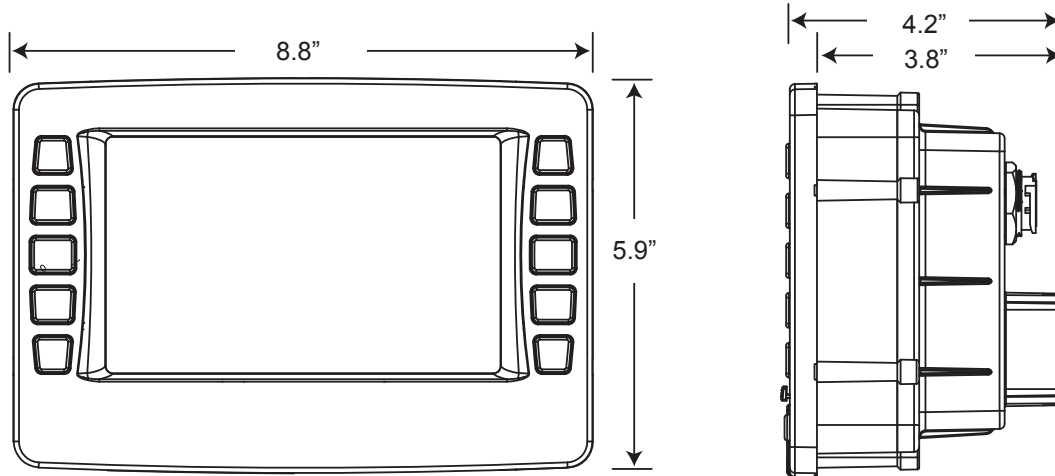


### System Data

CAN Data	Analog Inputs	GPS
<b>SAE J1939</b> 	Tank Level Pressure Temperature Voltage Environmental and others	



## Dimensions



Dimensions are subject to change. The dimensions depicted in the illustration may change with out warning. These dimensions should be used for reference only.