



CAN BUS HMI TOUCH SCREEN 4.3"

The **CAN Bus HMI Touch Screen Color Display 4.3"** is a Mobile Data Terminal, Windows® CE™ 6.0 based with a 4.3" bright TFT LCD screen and featured with a touch screen.

This Human to Machine Interface is an embedded open architecture platform designed for in-vehicle use. The PR3820 not only interfaces with J1939 and many standard communication systems but it also provides a platform for the new in-vehicle demand.

The entire unit is designed for a real IP67 ingress protection, which allows outdoor use.



Functional description

The **PR3820** runs on Windows CE™ platforms, a familiar operating system that enables us to integrate Windows CE™ compatible applications on the system. The system is composed of a 32 bits ARM processor running at 480 MHz, with 64 MB RAM and 128 MB NAND for Data memory.


Custom software with graphic design can be provided to integrate Data terminal with OEM body functions.

Technical and physical description

- Bright TFT 4.3 inches at a resolution of 480x272
- Design in accordance with SAE-J1455, J1113
- Operating supply voltage range: 9 V to 32 V
- Reverse polarity protection
- Operating temperature range: -20°C to +70°C
- 1 CAN 2.0b port SAE-J1939
- 1 CAN 2.0b port
- 12 Bits analog to digital converter for analog inputs
- 1 voltage reference (5V)
- Piezo (Beeper)
- Touch screen
- 1 RS-232 serial port (option)
- 1 LIN communication Link
- 1 USB 2.0 port
- 1 SD Memory Flash (Datalogger option)
- **8 Inputs:**
 - (6) (DA5) software configurable:
Digital: High side or low side, Analog: 0-5V
 - (2) (DA5Z) software configurable:
Digital: High side, Analog: 0-5V,
Impedance (0-500Ω)
- **4 Outputs:**
 - (2) (H.5F) software configurable:
Source (0.5A): Digital, PWM (1%)
 - (2) (H.5)
Source (0.5A): Digital

Faria Beede Instruments, Inc.
P. O. Box 983
Uncasville, CT 06382
860.848.9271
Fax: 860.848.2704

88 Village Street
Penacook, NH 03303
603.753.6362
Toll-free: 800.451.8255
Fax: 603.753.6201

 Made in the USA

fm-001-0101 rev A 10/2014

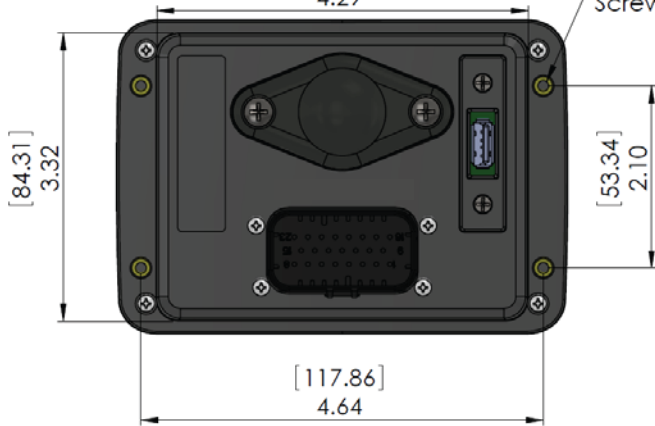
www.FariaBeede.com

Dimensions inches [mm]
 [132.84]
 5.23

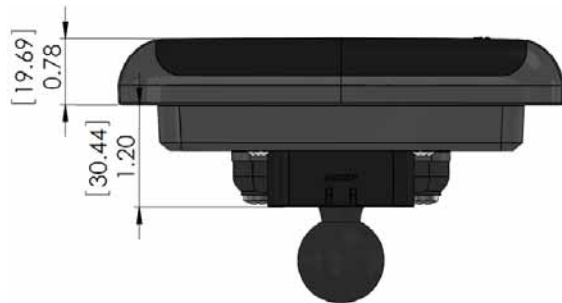


[108.86]
 4.29

(4x) Mounting
 Screws #6-32



[117.86]
 4.64



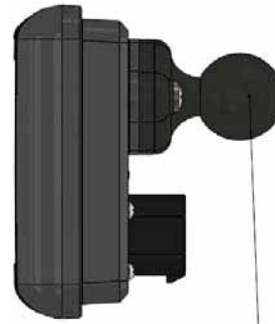
[30.44]
 1.20

[19.69]
 0.78

Pin Assignment

J1		
Pin name(Type)		#
VBAT (Power+)		1
GND (Power-)		2
OUT4 (H.5)		3
OUT3 (H.5)		4
OUT2 (H.5F)		5
OUT1 (H.5F)		6
VREF (Voltage Ref.5V)		7
LIN (Com)		8
IN1 (DA5)		9
IN2 (DA5)		10
IN3 (DA5)		11
IN4 (DA5)		12
CANP-S (CAN)		13
CANP-H (CAN)		14
CANP-L (CAN)		15
IN5 (DA5) / RS232-RX (Com)		16
IN6 (DA5) / RS232-TX (Com)		17
IN7 (DA5Z)		18
IN8 (DA5Z)		19
TRIG		20
CAN2-H (acc)		21
CAN2-L (acc)		22
CAN2-S (acc)		23

Other Connections		
USB 2.0 Host connection		J2



Optional RAM
 BALL 1.0"