

Snap-In Multifunction Gauges



Patented Design


Features and Benefits

- Inductive Tachometer with Hourmeter
- Programmable Service Intervals with alarm
- US standard and metric values
- Poly carbonate cases for corrosion resistance and long life
- No hassle mounting - reduces installation time
- Available with or without embedded Digital Hourmeter
- 2 inch gauges - Ammeter, Voltmeter, Water Temp, Oil Temp, Oil Pressure, Fuel Level, Fuel Pressure and Hourmeter



Faria Corporation
P. O. Box 983
Uncasville, CT 06382
860.848.9271
Fax: 860.848.2704

Beede Instrument Company, Inc.
88 Village Street
Penacook, NH 03303
603.753.6362
Toll-free: 800.451.8255
Fax: 603.753.6201

 Made in the USA

fm-001-0040 rev B 01/2014

Designed to SAE specifications for Dust, Vibration and Water intrusion. The Faria Snap-In instruments provide a Heavy Duty instrument in a easy to install push-in case manufactured in the USA.

This multifunction instrument provides many useful features in a small compact design. Available functions include; Inductive Tachometer, Hourmeter, Programmed Service Intervals and an analog discrete function (Ammeter, Voltmeter, Water Temp, Oil Temp, Oil Pressure, Fuel Level, Fuel Pressure)

No back clamp, washers, nuts or tools are required to install the gauge into your panel.

With its patented mounting design the Snap-In gauge is designed to install easily and reduce costs. Simply push through the mounting hole. The case springs out to hold your gauge in place.

A simple push of the fingers installs your gauge securely. No nuts, bolts or bruises required.

General:

Mounting Hole: 2.063" (53 mm)
Depth behind face plate: 3" (76 mm) min.

Lighting

- LED in multiple colors
- Perimeter lit dial
- Back lit dial
- Also available in an unlit dial version.

Dial Graphics

- Custom dials and masks available
- Add your own logo

Termination

- 8-pin Molex connector



- Studs for ring connector (Ammeter only)

Lens

- Poly carbonate
- Glass
- Flat
- Domed
- Anti-fog coating available

Bezel

- Polished stainless steel
- Gold
- Variety of powder coated colors
- Variety of painted colors

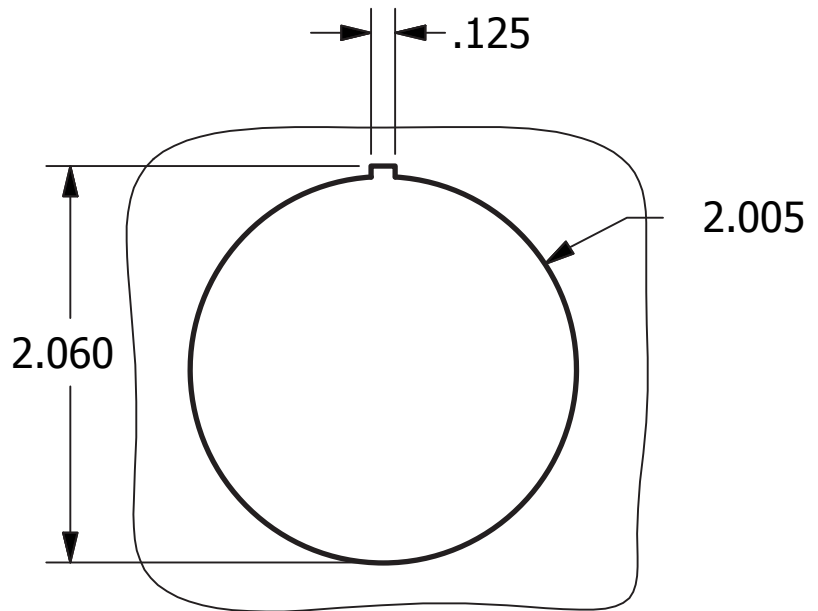
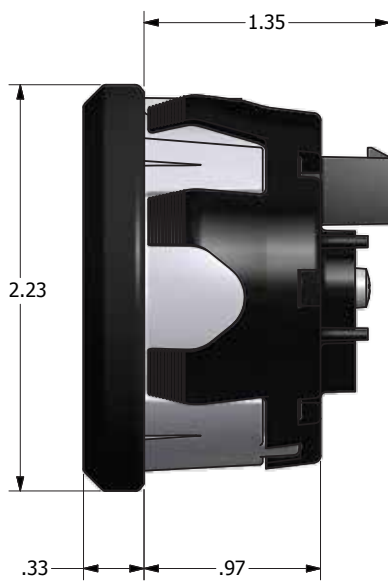
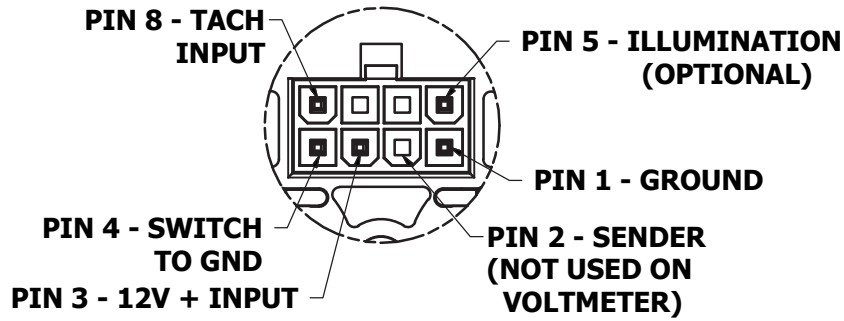
Pointer

- Variety of painted colors



www.faria-instruments.com • www.beede.com

Typical Molex Connections



RECOMMENDED
MOUNTING HOLE
.125 INCH PANEL