

GPS Speedometer



PRODUCT FEATURES

- Available in multiple Speed ranges to 80 MPH, 130 KPH, 50 and 70 KNOTS
- Premium LED back-lit or edge-lit dials
- No external GPS antenna required
- Available LCD displays Compass Rose heading and Actual heading (COG)
- Ultra fast Satellite acquisition time (TTFF) 1 second from Hot start
- Speed Accuracy of +/- 1 MPH
- Heading Accuracy of +/- 1 Degree
- Digital stepper motor driven pointers
- Ideal replacement for speed sensing devices (pitot tube and paddle wheel) that typically fail over time
- Perfect for slow moving vessels where pitot tubes typically don't work
- Deutsch connector cases
- Custom OEM styles and ranges available

available in
KNOTS
MPH
kPH

The GPS Speedometer is a drop in replacement for your current speedometer and can be made to match your existing instrument dash.

GPS information is gathered from an internal GPS antenna. **No external antenna required.** The Faria GPS Speedometer uses a highly accurate 48 channel GPS receiver. You can be sure that the Faria GPS Speedometer is giving you the most accurate GPS information available on the market today.

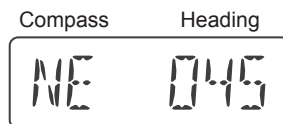
Course Over Ground (COG) and actual heading (compass heading over ground) are displayed on the optional digital LCD.

Speed data is shown by an analog pointer. This pointer is driven by a digital stepper motor for increased accuracy and minimized pointer bounce during vessel operation.

DISPLAY

The LCD displays Heading and Compass and is back-lit for readability in inclement weather.

The LCD displays Compass Rose headings and actual course over ground heading. Heading is updated in 1° increments.



ACCURACY

The Faria GPS Speedometer has a Speed accuracy of +/- 1 MPH while moving and a hot (normal stand-by) start up time (TTFF - time to first fix) of about 1 second or a TTFF from a cold (no power applied) start of up to 30 seconds.

Heading accuracy is +/- 1 Degree.

INTERFACE

The dial face is illuminated with a premium LED lighting system.

GRAPHICS

Faria can help design your own custom graphics. Many dial ranges and scales are available including lens type, bezel color, pointer color and back-lighting.


ENCLOSURE

The enclosure is molded from Polycarbonate plastic with integrated Deutsch style connector shells (sockets) and is sealed against water intrusion in accordance with Ingress Protection (IP) rating IP67. Wires terminate to a sealed Deutsch weatherproof connector. This wire configuration allows the GPS Speedometer to work as a **Plug and Play** addition to your current dash.

Fits a standard 4 inch (85 mm) instrument dash hole.

Faria Corporation
P. O. Box 983
Uncasville, CT 06382
860.848.9271
Fax: 860.848.2704

Beede Instrument Company, Inc.
88 Village Street
Penacook, NH 03303
603.753.6362
Toll-free: 800.451.8255
Fax: 603.753.6201

 Made in the USA

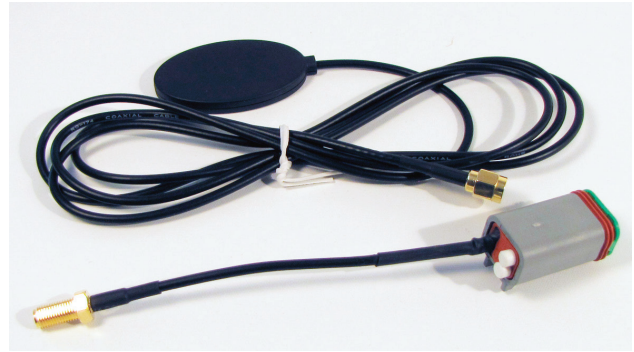
fm-001-0065 rev B 01/2013



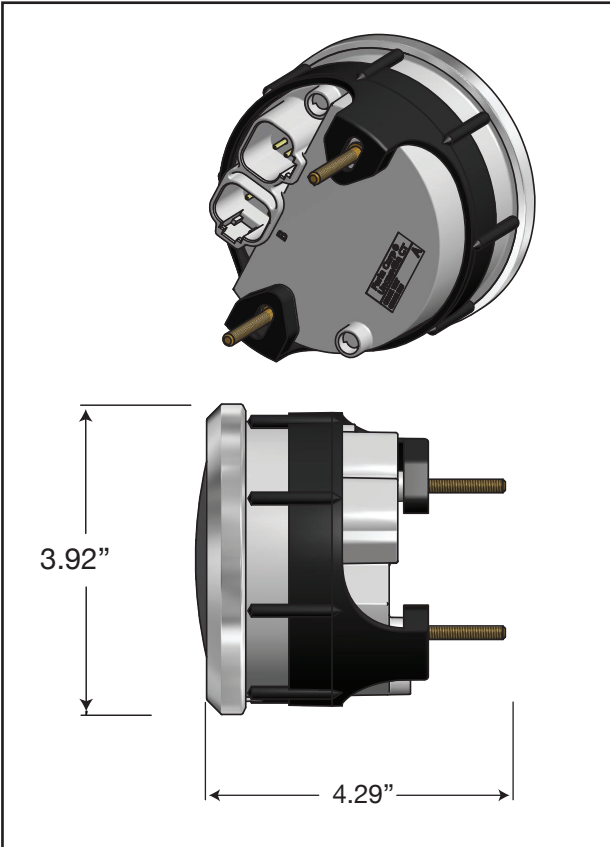
www.faria-instruments.com • www.beede.com

EXTERNAL GPS ANTENNA

For those vessels that already have a NMEA 0183 antenna installed Faria offers a GPS Speedometer that connects directly to the antenna eliminating the need to purchase a whole new GPS solution saving money and installation time. Note: Not all GPS antennas communicate the same. Please call Faria for a list of approved GPS antennas.



CASE SPECIFICATIONS



SPECIFICATIONS

GENERAL

Operating Voltage.....11.5 VDC to 16 VDC

Operating Temperature.....-20C to 70C

Storage Temperature.....-30C to 85C

Reverse Polarity Protection.....Yes

Display..... 7 Character LCD

Shock

50 +/- 2 G and a half sine duration of 11 +/- 2 ms. per MIL-STD-202, Method 213

Vibration

4 G peak, 10 to 200Hz

SAE J1455 Appendix A

Salt Spray

Front is Corrosion resistant per ASTM B117-73

Weather Resistance

Instrument has been tested to resist weather conditions in accordance with IP67 standards.

Wiring Connections

B: 4- pin connector

Pin 1	RF (Ext Antenna)
Pin 2	Ground (Ext Antenna)
Pin 3	N/C
Pin 4	N/C

Required only if using an external antenna.

A: 4- pin connector

Pin 1	12 vDC (Ignition)
Pin 2	12 vDC (Keep-Alive)
Pin 3	Ground
Pin 4	Lighting

